

CRL/SOMACA CUTTING TABLES

6' x 8', 8' x 10', 8' x 12' and 9' x 12' MODELS



ASSEMBLY INSTRUCTIONS

Original Instructions



crlaurence.com • Toll Free (800) 421-6144 • Fax (800) 262-3299

C.R. Laurence Glass Machinery Division • (866) 583-1377 • Fax (866) 584-9722
5501 W. Ogden Ave. Cicero IL 60804 U.S.A.

CRL/SOMACA CUTTING TABLES

6' x 8', 8' x 10', 8' x 12' and 9' x 12' MODELS

Covers Models: 2402500, 2402510, 2402511, 2402512, 2402513, 2402550, 2402502, 2402503, 2402504, 2402543, 2402509, 2402524, 2402525, 2402544, EU2402512, EU2402513, EU2402550, EU2402503, EU2402543, EU2402525, EU2402544



Manual Cutting Table Specifications

Certification: The following models are CE compliant:

Table Top Height: (all) 900mm (36")

Model	Dimensions:	Breaker Bar	Air Float	Shipping Wt.
2402500	1.8 x 2.4m (8' x 8')	-	-	331 kg. (730 lbs.)
2402510	2.4 x 3m (8' x 10')	-	-	363 kg. (800 lbs.)
2402511	2.4 x 3m (8' x 10')	Yes	-	381 kg. (840 lbs.)
2402512*	2.4 x 3m (8' x 10')	-	Yes	408 kg. (900 lbs.)
2402513*	2.4 x 3m (8' x 10')	Yes	Yes	426 kg. (940 lbs.)
2402550*	2.4 x 3m (8' x 10')	-	Yes	420 kg. (925 lbs.)
2402502	2.4 x 3.6m (8' x 12')	-	-	544 kg. (1200 lbs.)
2402503*	2.4 x 3.6m (8' x 12')	Yes	Yes	608 kg. (1340 lbs.)
2402504	2.4 x 3.6m (8' x 12')	Yes	-	562 kg. (1240 lbs.)
2402543*	2.4 x 3.6m (8' x 12')	-	Yes	590 kg. (1300 lbs.)
2402509	2.7 x 3.6m (9' x 12')	-	-	590 kg. (1300 lbs.)
2402524	2.7 x 3.6m (9' x 12')	Yes	-	653 kg. (1440 lbs.)
2402525*	2.7 x 3.6m (9' x 12')	Yes	Yes	653 kg. (1440 lbs.)
2402544*	2.7 x 3.6m (9' x 12')	-	Yes	635 kg. (1400 lbs.)
EU2402512*	2.4 x 3m (8' x 10')	-	Yes	408 kg. (900 lbs.)
EU2402513*	2.4 x 3m (8' x 10')	Yes	Yes	426 kg. (940 lbs.)
EU2402550*	2.4 x 3m (8' x 10')	-	Yes	408 kg. (900 lbs.)
EU2402503*	2.4 x 3.6m (8' x 12')	Yes	Yes	608 kg. (1340 lbs.)
EU2402543*	2.4 x 3.6m (8' x 12')	-	Yes	590 kg. (1300 lbs.)
EU2402525*	2.4 x 3.6m (8' x 12')	Yes	Yes	608 kg. (1340 lbs.)
EU2402544*	2.4 x 3.6m (8' x 12')	-	Yes	590 kg. (1300 lbs.)

* These models have electrical blowers for air flotation. Electrical Specs on following page.

page 2

Visit us at crlaurence.com for international toll free information

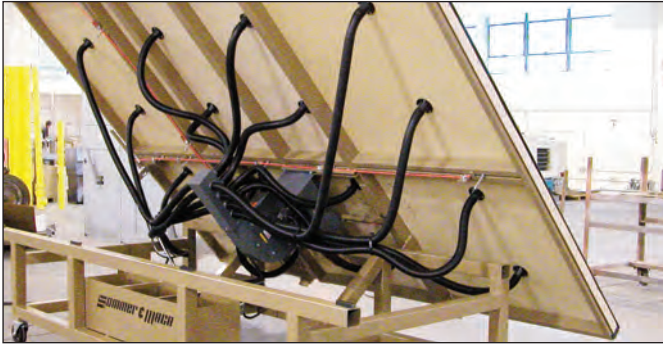
C.R. Laurence Glass Machinery Division • (866) 583-1377 • Fax (866) 584-9722

CALL TOLL FREE ANYWHERE IN THE U.S. OR CANADA

CRL/SOMACA CUTTING TABLES

6' x 8', 8' x 10', 8' x 12' and 9' x 12' MODELS

Air Floatation Table Electrical Specifications



Model No.	Voltage	Power
2402512	110V AC 1/60 Hz 11.8 FLA	.75 kW (1 HP) 3600 Max RPM SCCR: .5Ka
2402513		
2402503		
2402543		
2402550	220V AC 3/60 Hz 7.7 FLA	2.2 kW (3 HP) 3600 Max RPM SCCR: .5Ka
2402525		
2402544		
AU / EU2402512	230V AC 1/50 Hz (see note below) 8.3 FLA	.75 kW (1 HP) 3600 Max RPM SCCR: .5Ka
AU / EU2402513		
AU / EU2402503		
AU / EU2402543		
AU/ EU2402550	400V AC 3/50 Hz (see note below) 6.1 FLA	2.2 kW (3 HP) 3600 Max RPM SCCR: .5Ka
AU/ EU2402525		
AU/ EU2402544		



Electrical Supply Note: It is the customers responsibility to furnish a fused or protected power connection (to the specifications in the wiring diagrams) with the correct voltage and a shut off switch. Wiring diagrams are found on pages 23 to 25 in this manual.



All table blowers running 50 Hz will have a phase converter on the machine and will need a protected main power switch to be installed before the machine power connection. Follow the specs below:



230, 400, 480V
Fuse M10A or Mini Circuit Breaker C10A, or (North America) Fuse or Circuit Breaker 10A
It is recommended that a professional electrician be contracted for this work.

page 3

crlaurence.com • Toll Free (800) 421-6144 • Fax (800) 262-3299

C.R. Laurence Glass Machinery Division • (866) 583-1377 • Fax (866) 584-9722
CALL TOLL FREE ANYWHERE IN THE U.S. OR CANADA

CRL/SOMACA CUTTING TABLES

6' x 8', 8' x 10', 8' x 12' and 9' x 12' MODELS

Contents

page

Specifications	2
Certifications/Electrical Specs	3
Contents	4
1.0 Introduction	5
1.1 Introduction	5
1.2 Uncrating/Inspection	5
1.3 Safety Information.....	6
2.0 Table Assembly	6
2.1 Assembly	7-8
3.0 Installation	9
3.1 Installation.....	9
3.2 Operation	9
4.0 Breaker Bar Instructions	10
4.1 Breaker Bar Installation	10
4.2 Table Top Assembly Diagram.....	11
5.0 Parts Lists	12
5.1 Eight Foot Table Parts and Diagram.....	12
5.2 Eight Foot Table Diagram	13
5.3 Six Foot Table Parts and Diagram	14
5.4 Six Foot Table Diagram.....	15
5.5 Toe Housing Drawing.....	16
5.6 Wood Toe Drawing.....	17
6.0 Annexes B-D	18
6.1 Annex B-1, Access Safeguards/Optical	18
6.2 Annex B-2, Crush Point Barriers	19
6.3 Annex C-1, Minimum Gaps	20
6.4 Annex C2, C-3, Minimum Gaps	21
6.5 Annex D-1, Floor Zone Marking.....	22
7.0 Electrical Schematic Diagram (Air Float Tables)	23-25
8.0 EC Certificate of Conformity	26
9.0 Manufacturers Warranty	28

page 4

Visit us at crlaurence.com for international toll free information

CRL/SOMACA CUTTING TABLES

6' x 8', 8' x 10', 8' x 12' and 9' x 12' MODELS

SECTION 1

1.1 INTRODUCTION

The CRL/SOMMER & MACA Glass Cutting Table is made to perform well over a long period of time. Follow all safety rules as specified in this manual. Treat the table top with respect by keeping clear of it when it is in motion, as it can be quite heavy, especially when holding large pieces of glass. Pay attention to the counter-weights when they are placed. The proper counter-weight will make the table top easier to handle.

1.2 UNCRATING

Before the table was crated/skided for shipment, it was inspected for proper working condition. Therefore, proper uncrating and inspection upon receiving is of the utmost importance to assure that the table was received in exactly the same condition as it was when shipped from the factory. The table and all ancillary components are shipped in one large crate.



The skid with the table is heavy. Use adequate lifting devices to move the skid and avoid damage to the table.

INSPECTING THE SKID

- 1) Skid damage could indicate mishandling during shipment and the table could possibly be damaged. Inspecting the crate for exterior damage is an important part of the uncrating procedure.
- 2) Check all surfaces of the table and skid for gouges, tears or holes that could have been caused by the tines of a fork-lift or other lifting device.

CRL/SOMACA CUTTING TABLES

6' x 8', 8' x 10', 8' x 12' and 9' x 12' MODELS

1.3 IMPORTANT SAFETY INFORMATION



1) **Always** operate and maintain the Cutting Table in accordance with the instructions and procedures in this manual.



2) **Do not** exceed the capacity of the table.



3) **Do not** open electrical panels while unit is in operation except in special circumstances which are addressed later in this manual.



4) **Never** work on the table and related components unless electrical power and motor drive have been locked out and tagged.



5) **Do not** use table for any purpose for which it was not designed. It is to be used solely to cut glass within the specification limits listed in this manual.



6) **Always** have a clear view of the loading and unloading points and all safety devices of the table.



7) **Always** keep area around cutting table free of debris and obstacles.



8) **Never** operate cutting table without guards and all safety devices in position and functioning.



9) **Always** allow Tabletop to stop naturally. Do not attempt to force the table top up or down. Check for obstructions if resistance is encountered.

10) **Always** wear safety glasses, proper gloves, and other necessary safety equipment while operating and maintaining the table. When in doubt, consult with shop safety representative.

11) **Never** work on the underside of the table (with the tabletop in the upright position) unless there are proper supports holding the tabletop up. 2 wooden supports from the floor, inside the table frame, to the top of the tabletop would be sufficient. An additional support from above such as a rope or sling attached to the latch would provide further safety for any work being done on the underside of the tabletop.

CRL/SOMACA CUTTING TABLES

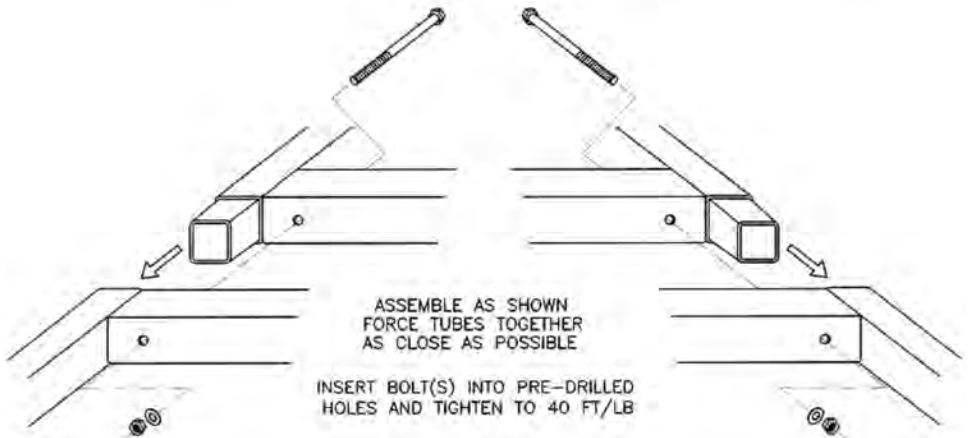
6' x 8', 8' x 10', 8' x 12' and 9' x 12' MODELS

SECTION 2

2.1 ASSEMBLY

- 1.) After uncrating the frame and decking, orient the table frame as shown in the diagram below.
Important Note: Make sure the pre-drilled holes for the decking are on top.
- 2.) Mate the tubes together and insert the bolts through the holes provided.
- 3.) Tighten the bolts, alternating from one side to the other to ensure an even draw.
- 4.) Inspect the joint when both bolts are torqued to 40 ft/lb. There should be an even butt at both joints.
- 5.) Extension arms are located on each corner of the lower frame. They should be rotated for all 12' (3.6 m) long table frames as to support the table top.
- 6.) Remove the shipping lumber. Lay the tabletop in horizontal position, insert the 2 pivot pins and lock it in place with the "Locking Latch". Check the latch for proper operation. See below for latch identification.
- 7.) Mount the casters and floor locks to the base with the hardware supplied. Refer to figure 2 on page 11.

ASSEMBLY PROCEDURE FOR SPLIT CUTTING TABLE FRAME



Tabletop Locking Latch
(on opposite side from Wood Toes)

CRL/SOMACA CUTTING TABLES

6' x 8', 8' x 10', 8' x 12' and 9' x 12' MODELS

2.1 ASSEMBLY - continued

- 8.) Layout the table top decking on the table frame. The decking is match numbered with the frame of the table top. Place the corresponding decking over each section (see figure 1, p.11). The frame and decking has been pre-drilled. **Note: There should be a 5/16 - 3/8" gap between the center decks. This is to allow for a breaker bar in the future.** Place a continuous bead of silicone or construction grade adhesive between the decking and the frame. Use care to insure that the decking is lying smoothly together and that the mounting holes are positioned over the corresponding holes on the frame structure. Do not fasten the last two decking pieces yet. Place the recommended counterweight (see figure 1) in the table top pans equal to **230 lbs.(104 kg.) for the 8x10, 230 lbs.(104 kg.) for the 8x12, and 300 lbs.(136 kg.) for the 9x12.** Fasten down the decking (see step 9) with two screws each on panels "1" & "4" on a 4 panel table and "1" & "6" on larger tables after the counterweights have been added. Place **270 lbs.(122 kg.) for the 8x10, 270 lbs.(122 kg.) for the 8x12, and 300 lb.(136 kg) for the 9x12** in the base pan (see figure 2). As a general rule, fill the base counterweight pan about 3/4 full with heavy material.
- 9.) After the preliminary installation of these last two (2) pieces of decking, mount the Toe Assemblies to the frame. Place a test piece of glass on the table and release the table latch. **If the counterweight is sufficient, install permanent weights and the rest of the decking fasteners. If not, alter the weight in the pans to achieve balance.**
- 10.) Vacuum or wipe off the decking before proceeding. Install the carpet. The carpet is cut oversized, 144" (3.6 m) wide x 152" (3.8 m) long. Roll out the carpet and center it over the table top. Smooth out any wrinkles that may have been caused during shipping. Position the carpet for the desired overhang. Center the carpet over the top. Roll the back section of the carpet toward one edge of the table. Apply a light even coating of low adhesive carpet glue (provided) to the decking surface. Roll the carpet back, smoothing out the wrinkles as you go (Tip: use sheets of glass to assist in smoothing out the carpet). Cut off the excess carpeting leaving enough to staple to the underside of the table decking. Allow sufficient time for the adhesive to dry. Follow adhesive instructions.
- 11.) When Air Flotation is furnished, cut the carpet flush to the sides of the holes by using a sharp knife. Mount the ball check assemblies from the opposite (bottom) side with the hardware supplied. Attach each hose to the ball check assemblies and to the respective port on the blower unit.



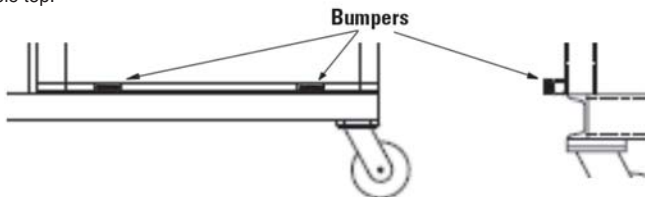
Note: Only single phase, 110 volt (1/60/110v) blowers are supplied with power receptacles. Other voltages will require wiring the motor to your power source. If you are not comfortable doing this wiring, Hire a Professional Electrician to hook up the table top blower.

- 12.) When a Breaker Bar is furnished, cover the breaker bar cavity with tape, prior to gluing down the carpet. Follow sequence #5. After the glue has dried, use a sharp knife to remove the narrow strip of carpet above the breaker bar.

INSTALLING TILT STOPS (BUMPERS)

Rubber bumpers need to be affixed to the lower portion of the front (hinge end) of table base. There are two (2) segments of 1" (25 mm) square tubing 36" (914 mm) long that straddle the lower front of the base.

Remove the protective backing from the four (4) rubber bumpers 3/4" x 1" x 3" (19 x 25 x 76 mm) long and press bumpers approximately 6" (152 mm) in from each end. Bumper material may be supplied in one 12" piece. Cut into 4-3" pieces. A set of bumpers should make contact with the underside of the counterweight pans. This also acts as a stop, for the table top.



CRL/SOMACA CUTTING TABLES

6' x 8', 8' x 10', 8' x 12' and 9' x 12' MODELS

SECTION 3

3.1 INSTALLATION

INSTALLATION, SET-UP AND OPERATING INSTRUCTIONS FOR TILT-TOP CUTTING TABLES

The CRL/SOMACA Tilt-Top Cutting Tables are well-made and designed to be safe for the operator and any employees in the immediate work area. It is very important to assemble and set up the table as described in this manual. Annex B, C and D will show how the table should be installed in your shop. Observe and clearly mark off **Safety Zones** and **Contact Areas** See Pages 18-22. (Danger Zones where operators may come into contact with the moving table top).

Maintain minimum spacing between the table and structures in the shop. This will prevent employees from being trapped behind or around the table top while in operation. You may have to construct walls, guards or other structures to prevent intrusion into **Danger Zones** (see Annex B.2, page 19)

The table top itself is at least 500mm (approx. 20 inches) larger on each side than the table base and therefore an operator or employee standing too close to the table base may be in danger of contact with the table top as it is lowered. Clearly marking **Danger Zones** on the floor around the table, or installing opti-electric barriers (in the case of hydraulic tables) may prevent this type of dangerous situation.

Make sure the Glass Strap is in place and holding any large sheets of glass when the table is tilted up. This strap will keep glass sheets on the table and not allow them to be catapulted off into the shop area.

When the table is positioned safely in the workspace, be sure to lock the table into place with BOTH floor locks. If the table is moved from one place to another in the shop, be sure that all workspaces where it is used are safe by following the guidelines in this manual.

3.2 OPERATING INSTRUCTIONS



• **IMPORTANT! Follow all safety instructions when operating the Tilt Top Cutting Table**

1. Extend the wooden toes before tilting the table up.
2. Release the locking latch and remain on the Latch Side and assist the tabletop to its upright position being careful not to let go. DO NOT stand in front of the table or allow anyone to do so during the loading or unloading process.
3. Load the glass onto the wooden toes making sure that the glass is resting fully on the table.
4. Attach the retaining strap across the glass to hold it firmly to the carpet surface.
5. Assist the tabletop down to the horizontal position making sure the locking latch is fully engaged into the frame.
6. Retract the toes and position the glass on the cutting surface using the air float (if equipped).
7. Score glass and run it by extending breaker bar vertically (if equipped).
8. If removing a large section of glass, extend the toes, position the glass to be removed against the toes and attach the retaining strap across the glass to prevent possible "catapulting". Now raise the table as instructed in step 2 above.

page 9

crlaurence.com • Toll Free (800) 421-6144 • Fax (800) 262-3299

C.R. Laurence Glass Machinery Division • (866) 583-1377 • Fax (866) 584-9722
CALL TOLL FREE ANYWHERE IN THE U.S. OR CANADA

CRL/SOMACA CUTTING TABLES

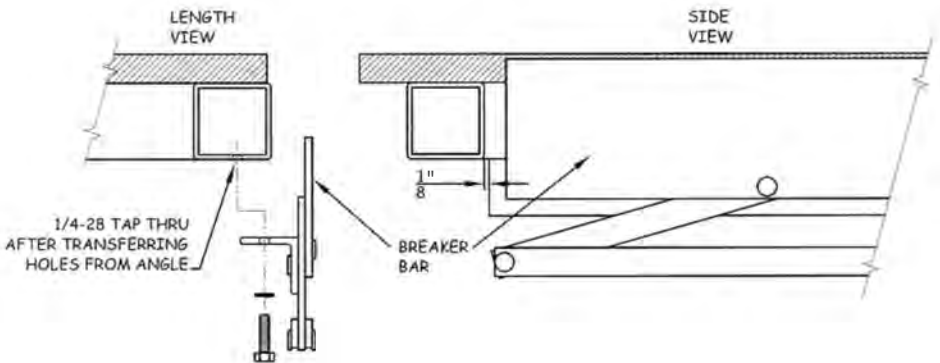
6' x 8', 8' x 10', 8' x 12' and 9' x 12' MODELS

SECTION 4

4.1 BREAKER BAR ASSEMBLY - FIELD INSTALLATION

NOTE: The breaker bar and frame are pre-drilled at the factory when ordered with the table.

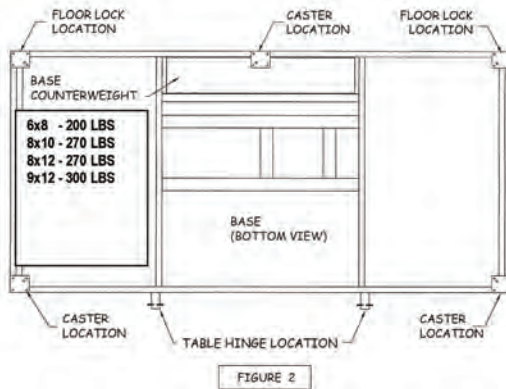
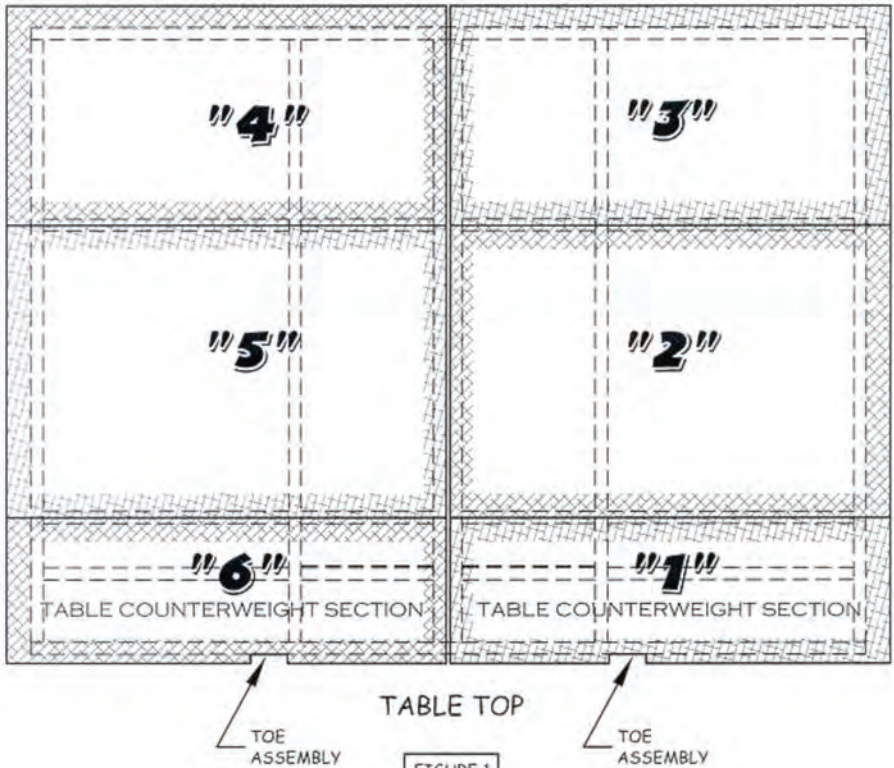
- 1.) Orient the Breaker Bar assembly to the position where the operating handle is desired. Clamp the back of the Breaker Bar assembly $1/8"$ (3.2 mm) from the inside of the frame tube (see diagram).
- 2.) Locate the mounting holes in the angle bracket of the Breaker Bar assembly. Mark the hole positions on the tube that the breaker bar is being mounted to. **NOTE:** Accuracy is important in this step.
- 3.) Remove the Breaker Bar assembly from the frame. Find the exact center of each hole and using a transfer or center punch, mark each hole with a hammer blow to the punch.
- 4.) Using a $1/8"$ drill bit, drill the holes **ONLY** through the bottom of the tube. When completed, re-drill the holes with a #3 drill (.203"), again only through the bottom of the tube.
- 5.) Tap each hole with a $1/4$ -28NF Tap. The fine thread is recommended for this application.
- 6.) Re-install the Breaker Bar assembly and tighten each bolt to 10 ft/lbs. Loctite 242 (blue) retaining compound may also be used on the fastener's threads during assembly.



CRL/SOMACA CUTTING TABLES

8' x 10', 8' x 12' and 9' x 12' MODELS

4.2 TABLE TOP ASSEMBLY



CRL/SOMACA CUTTING TABLES

8' x 10', 8' x 12' and 9' x 12' MODELS

SECTION 5 SECTION 5.1 8 FOOT AND 9 FOOT TABLE PARTS

PARTS FOR 8 X 10, 8 X 12, AND 9 X 12 CUTTING TABLES REFER TO DRAWING BELOW AND NEXT PAGE

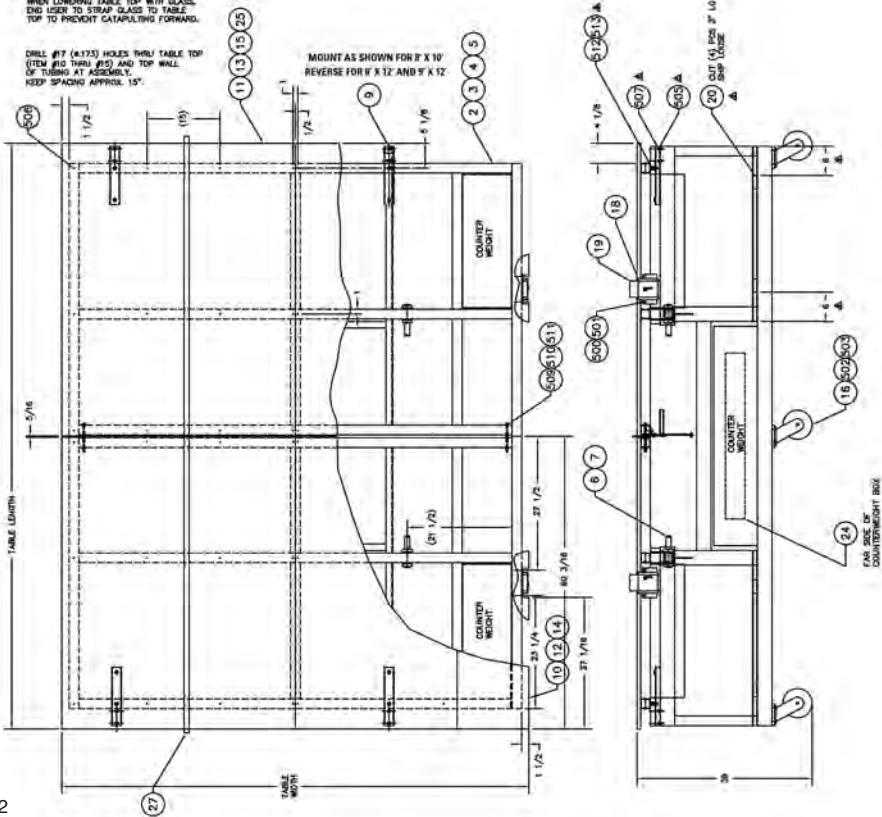
REF.	QTY.	CAT. NO.	DESCRIPTION
6	2	38807100	PIVOT PIN
7	2	15200141	1" SET COLLAR
8	1	46108150	LATCH
9	4	39692600	EXTENSION SUPPORT ASSY.
16	3	46306012	CASTER
17	2	46306071	FLOOR LOCK
18	2	38807000	TOE HOUSING, STEEL
19	2	38807400	TOE, WOOD
20	12"	46902220	POLYURETHANE BUMPER STRIP, SELF ADHESIVE
21	ROLL	39479703	CARPET, 104" X 144", BLACK (8' x 10' table)
22	ROLL	39479704	CARPET, 144" X 152", BLACK (8' x 12' and 9' x 12' table)
26	2-3	CTCA32	CARPET ADHESIVE, 1 QT. (3 Qts needed for 9 x 12 tables)
27	1	59902500	RATCHET TIE DOWN STRAP, 27'

NOTES

- COUNTERWEIGHT TO BE INSTALLED PRIOR TO INSTALLATION OF TOP.
- ITEM #27 STRAP IS A SHIP LOOSE ITEM. WHEN LOWERING TABLE TOP WITH GLASS, END USER TO STRAP GLASS TO TABLE TOP TO PREVENT CATASTROPHIC FORWARD.

DRILL #7 (#1735) HOLES THRU TABLE TOP (ITEM #10 THRU #15) AND TOP WALL OF TUBING AT ASSEMBLY. KEEP SPACING APPROX. 15".

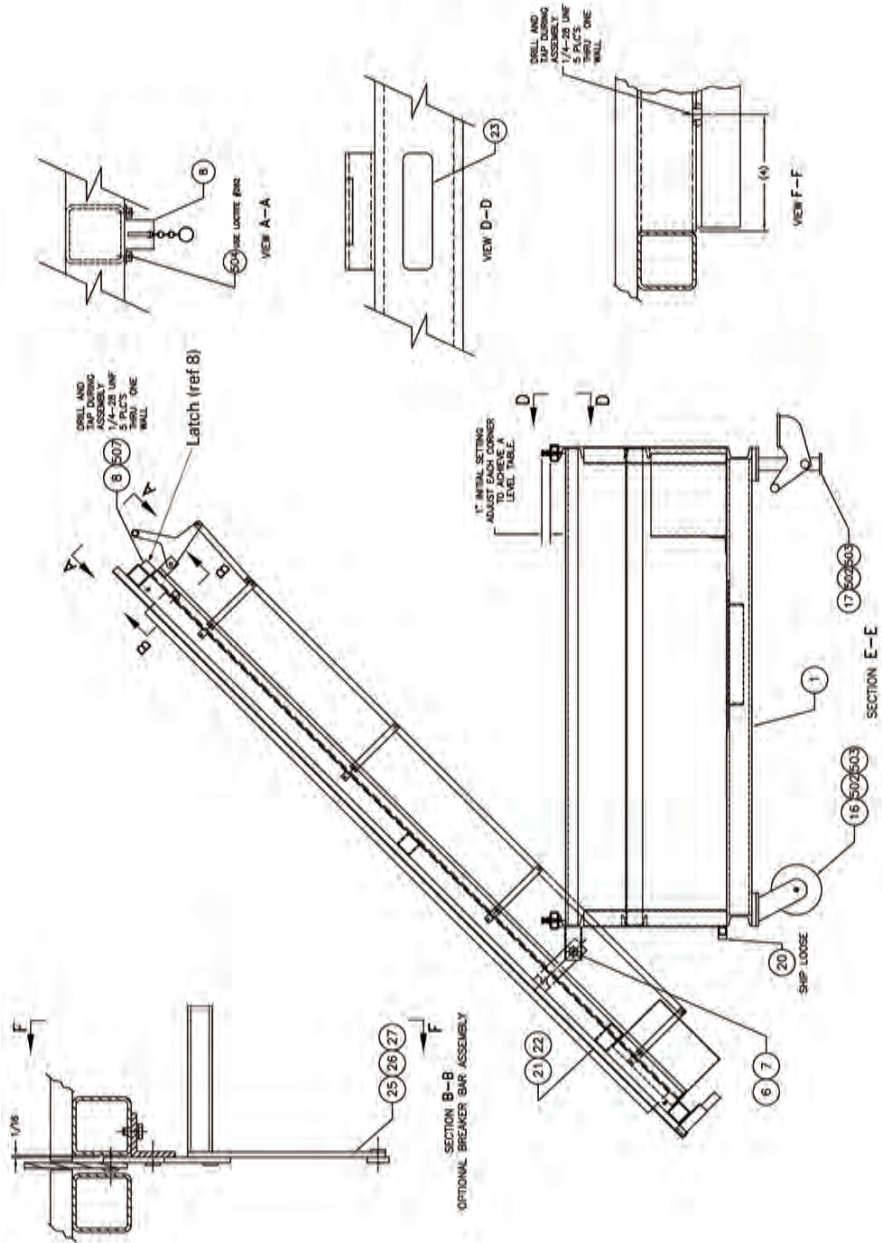
MOUNT AS SHOWN FOR 8' X 10' REVERSE FOR 8' X 12' AND 9' X 12'



CRL/SOMACA CUTTING TABLES

8' x 10', 8' x 12' and 9' x 12' MODELS

SECTION 5.2 8 FOOT AND 9 FOOT TABLE PARTS - continued



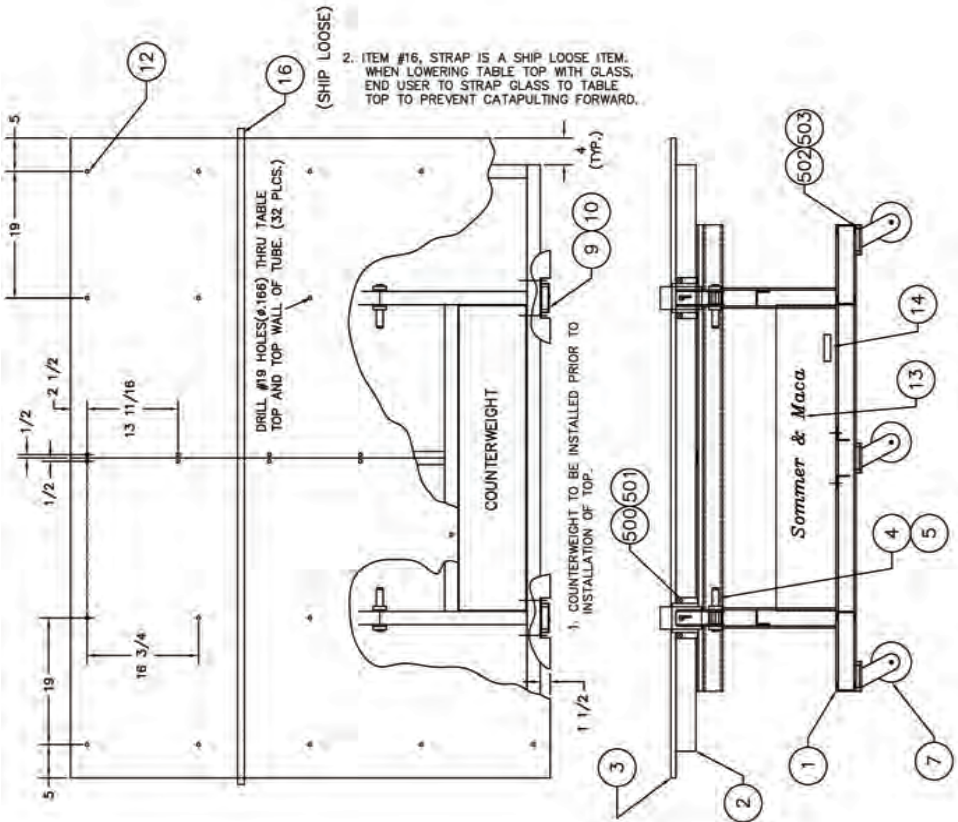
CRL/SOMACA CUTTING TABLES

6' x 8' MODEL

SECTION 5.3 6 FOOT TABLE PARTS

PARTS FOR 6 X 8 CUTTING TABLE REFER TO DRAWING BELOW AND NEXT PAGE

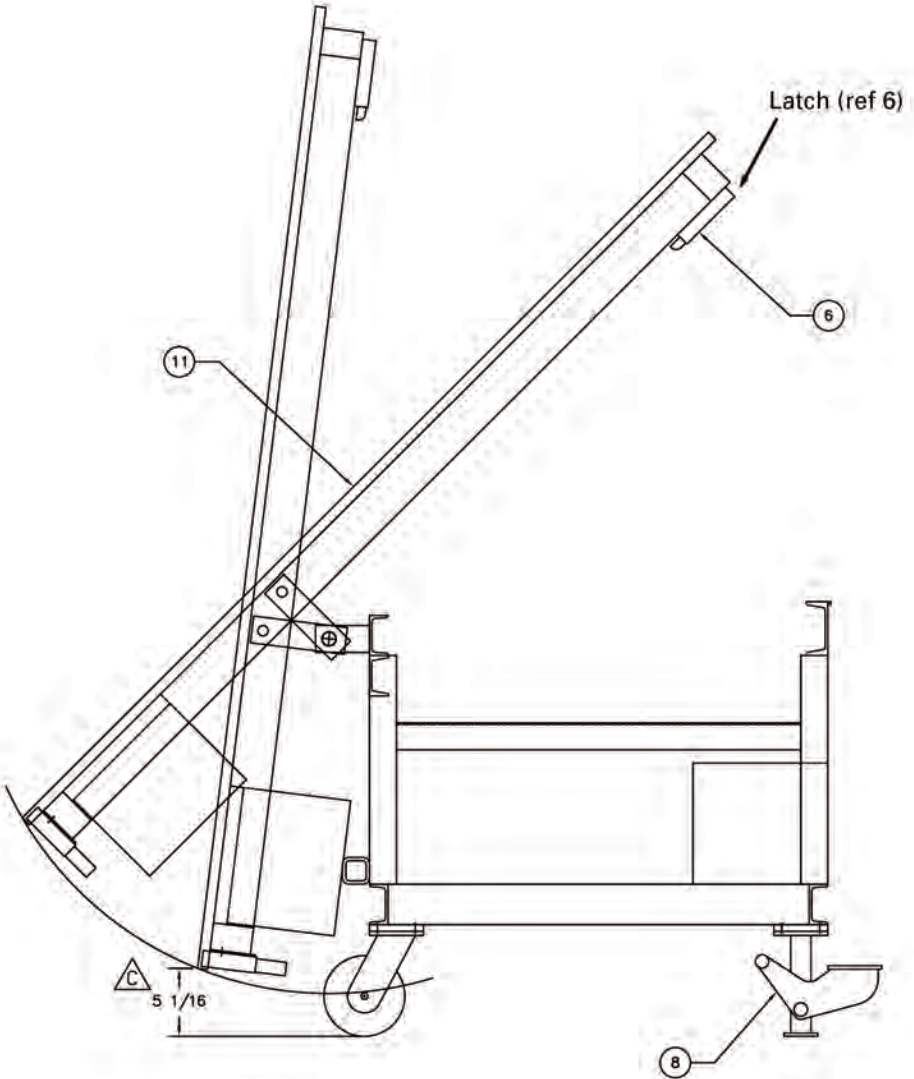
REF.	QTY.	CAT. NO.	DESCRIPTION
4	2	38807100	PIVOT PIN
5	2	15200141	1" SET COLLAR
6	1	46108150	LATCH
7	3	46306012	CASTER
8	2	46306071	FLOOR LOCK
9	2	38807000	TOE HOUSING, STEEL
10	2	38807400	TOE, WOOD
11	ROLL	39479705	CARPET, 76" X 144", BLACK
15	1	CTCA32	CARPET ADHESIVE, 1 QT.
16	1	59902500	RATCHET TIE DOWN STRAP, 27'



CRL/SOMACA CUTTING TABLES

6' x 8' MODEL

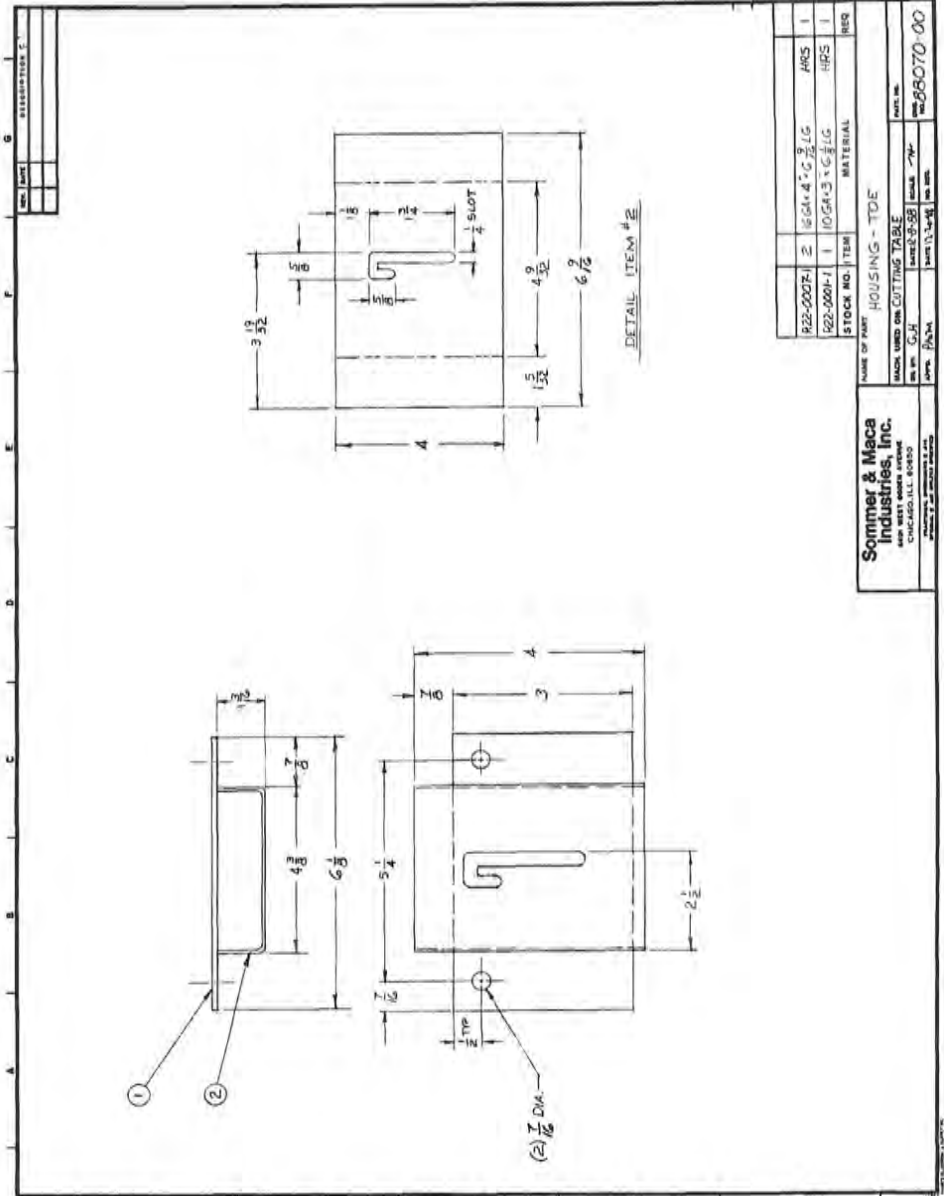
SECTION 5.4 6 FOOT TABLE PARTS - continued



CRL/SOMACA CUTTING TABLES

6' x 8', 8' x 10', 8' x 12' and 9' x 12' MODELS

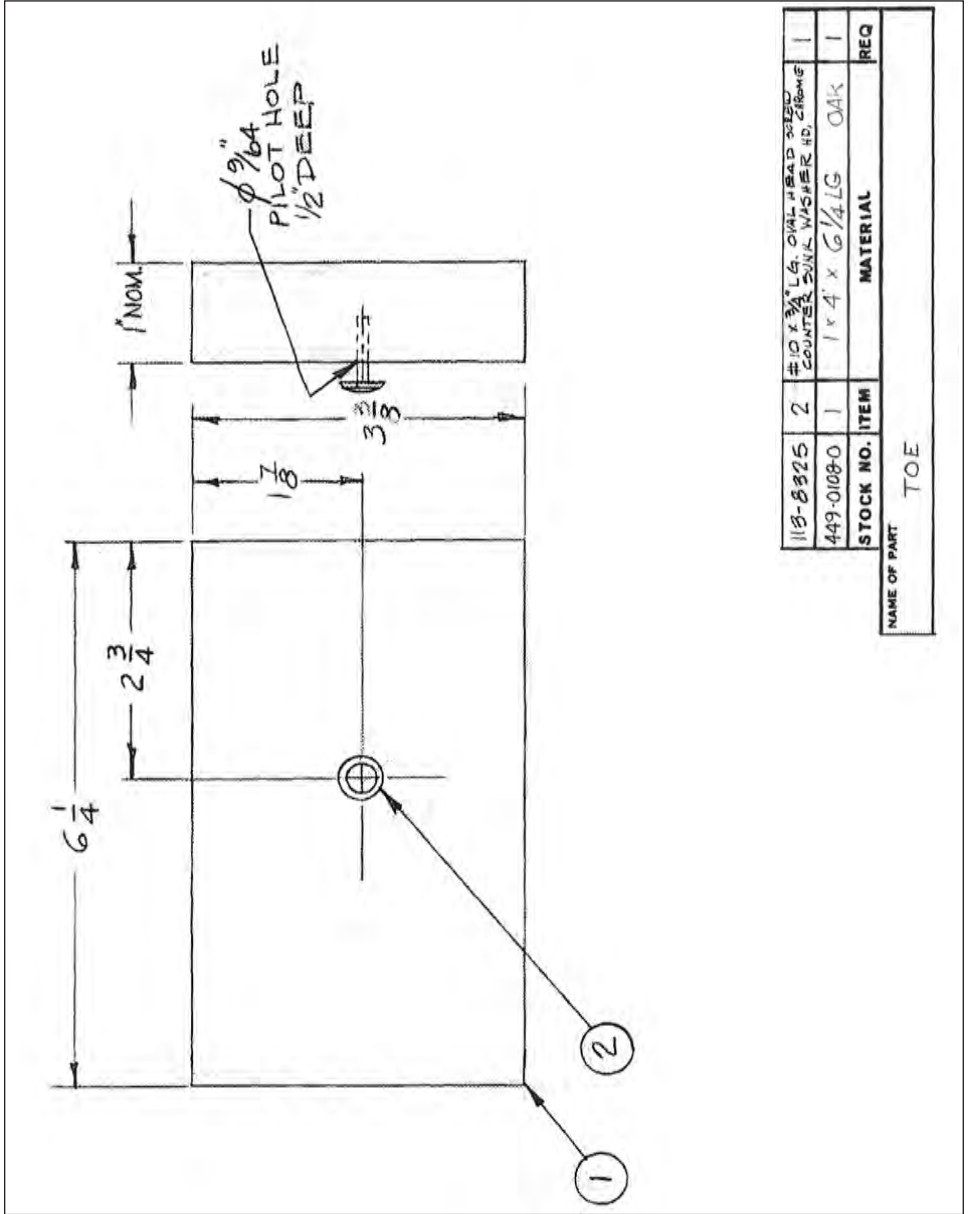
SECTION 5.5 TOE HOUSING



CRL/SOMACA CUTTING TABLES

6' x 8', 8' x 10', 8' x 12' and 9' x 12' MODELS

SECTION 5.6 WOOD TOE



CRL/SOMACA CUTTING TABLES

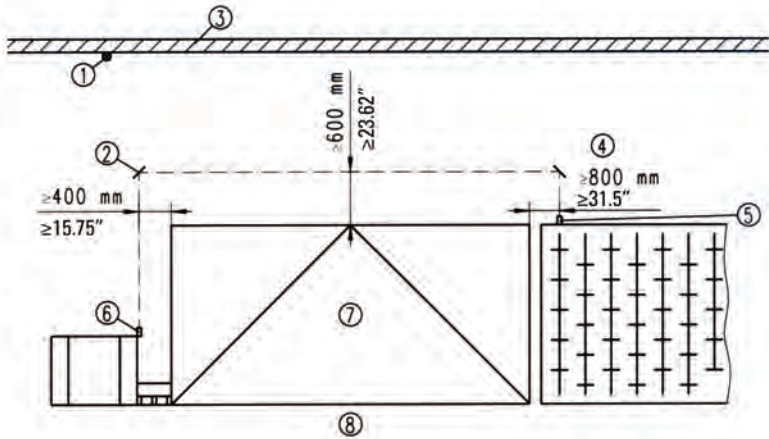
6' x 8', 8' x 10', 8' x 12' and 9' x 12' MODELS

SECTION 6

SECTION 6.1 ANNEX B-1

Annex B (normative)

Tilting table with safeguarding (access intended)



Key

- 1 reset (blue)
- 2 mirror
- 3 e.g. wall
- 4 with risk of crushing of the hand
- 5 receiver
- 6 transmitter
- 7 tilting table
- 8 access side

Figure B.1 — Safeguarding with single light beams at the rear side

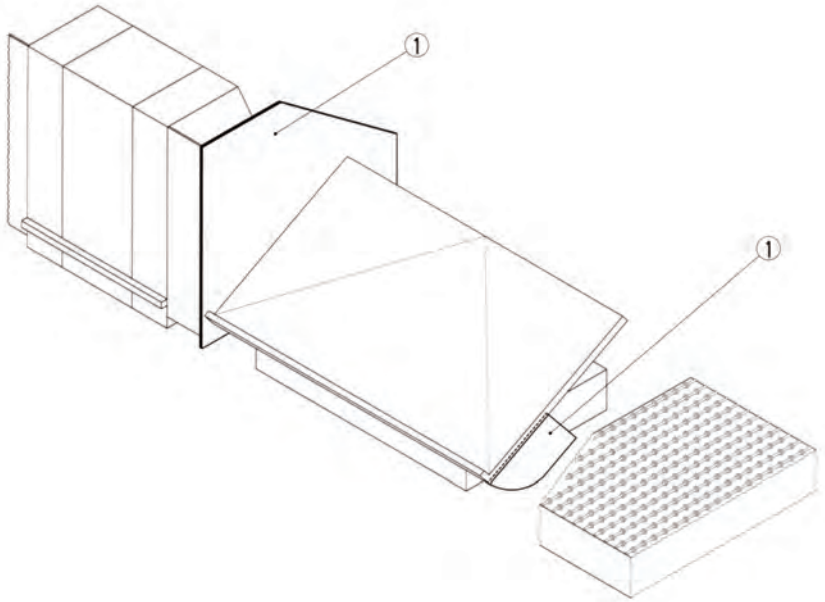
Use of opto-electronic barriers (single light beam)

- 1) Opto-electronic barriers have to be used preferably if the area has to be entered frequently
- 2) Distance between opto-electronic barrier and rear edge of tilting table ≥ 600 mm; at the side 400 mm to prevent crushing and impact of the body, ≥ 800 mm where there is a risk of crushing of the hands
- 3) Height of the opto-electronic barrier above floor 0.75 m (29.5") (beam path)
- 4) Positioning on 3 sides around the tilting table, e.g. by use of mirrors
- 5) Opto-electronic barrier (CLC/TS 61496-2:2006, category 4)
- 6) Reset (additional) if there is no good view of the danger zone at the control desk
- 7) The use of the reset or of the start actuator respectively from inside the danger zone shall be excluded.

CRL/SOMACA CUTTING TABLES

6' x 8', 8' x 10', 8' x 12' and 9' x 12' MODELS

SECTION 6.2 ANNEX B-2



Key

- 1 lining (plate, skirt)

Figure B.2 — Filling-up at crushing points between moving table and adjacent fixed parts

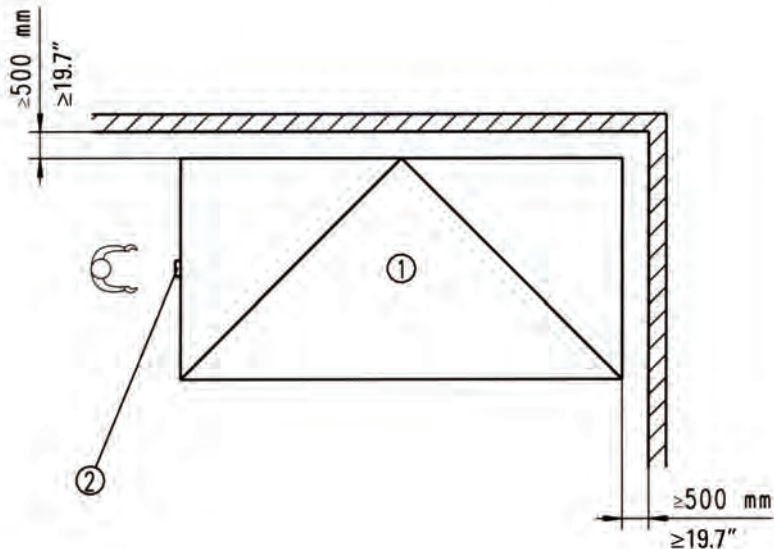
CRL/SOMACA CUTTING TABLES

6' x 8', 8' x 10', 8' x 12' and 9' x 12' MODELS

SECTION 6.3 ANNEX C-1

Annex C (normative)

Minimum gaps on tilting tables arranged as single table with free access



Key

- 1 Top view
- 2 Tilt operation

Figure C.1 — Topview with minimum gaps

CRL/SOMACA CUTTING TABLES

6' x 8', 8' x 10', 8' x 12' and 9' x 12' MODELS

SECTION 6.4 ANNEX C-2 AND C-3

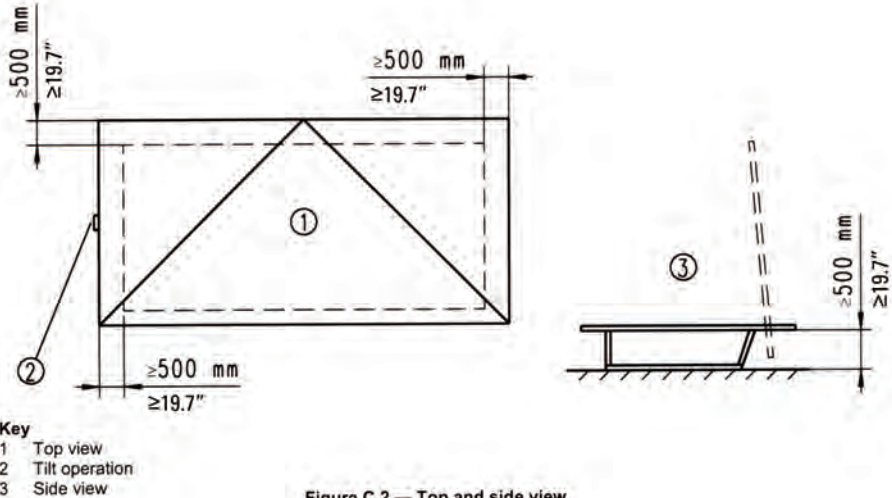


Figure C.2 — Top and side view

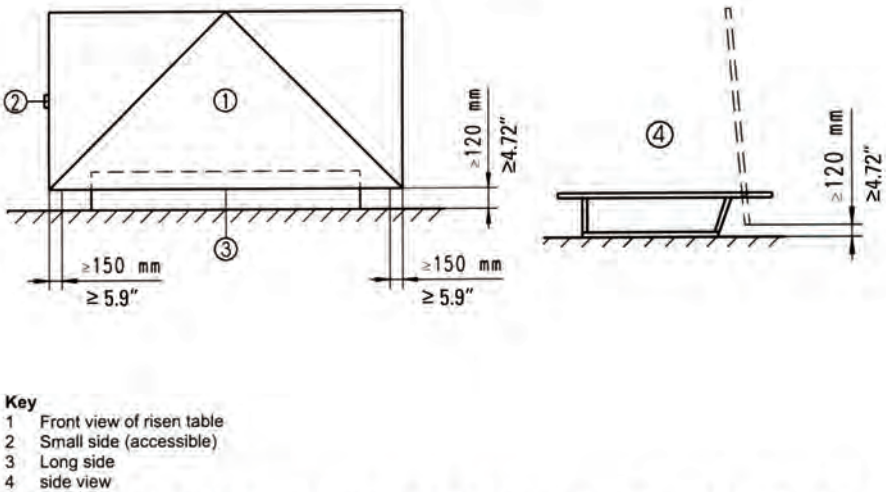


Figure C.3 — Front and side view of the small side with minimum gap between edge of the long side and floor

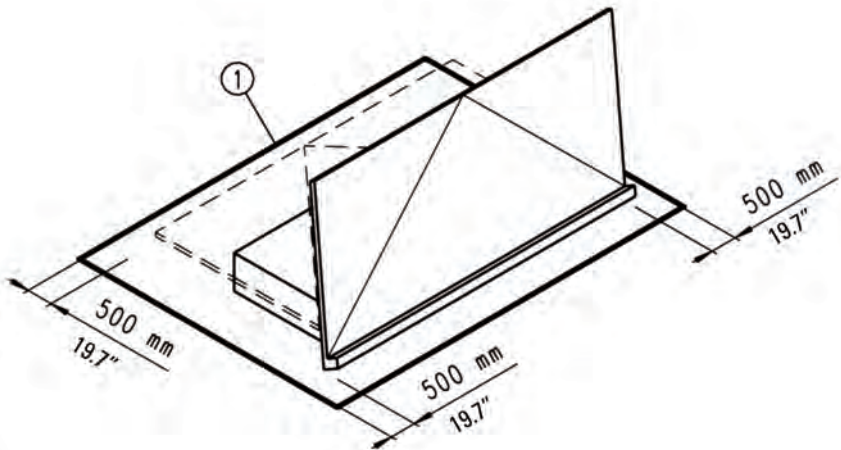
CRL/SOMACA CUTTING TABLES

6' x 8', 8' x 10', 8' x 12' and 9' x 12' MODELS

SECTION 6.5 ANNEX D-1

Annex D (normative)

Fixed single tilting table controlled by a hold-to-run device with marking of the danger zone on floor



Key
1 Marking

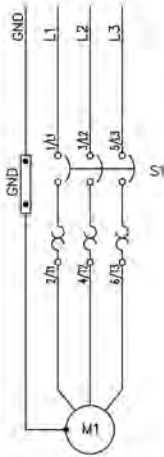
CRL/SOMACA CUTTING TABLES

6' x 8', 8' x 10', 8' x 12' and 9' x 12' MODELS

SECTION 7 Electrical Schematics for USA Series Air Flotation Tables

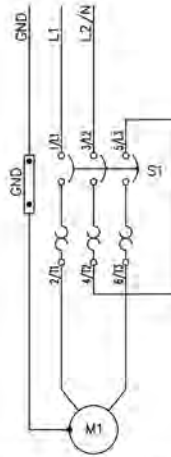
To Customer Power Supply

3 Phase Wiring



230V 3Ph 3HP 3600 RPM

1 Phase Wiring



115/230V 1Ph 1HP 3600 RPM

All wires are 14 Ga Black.
GND wire is Green.

Voltage

Phase

Freq

FLA

208-230 VAC

3 Ph

60 Hz

8.5-7.7A

115/208-230 VAC

1 Ph

60 Hz

11.8/6.3-5.9A

U.S.A. Electrical Schematic

3 Phase

208-230V AC - 60Hz

Single Phase

115-208/230V AC - 60Hz

page 23

crlaurence.com • Toll Free (800) 421-6144 • Fax (800) 262-3299

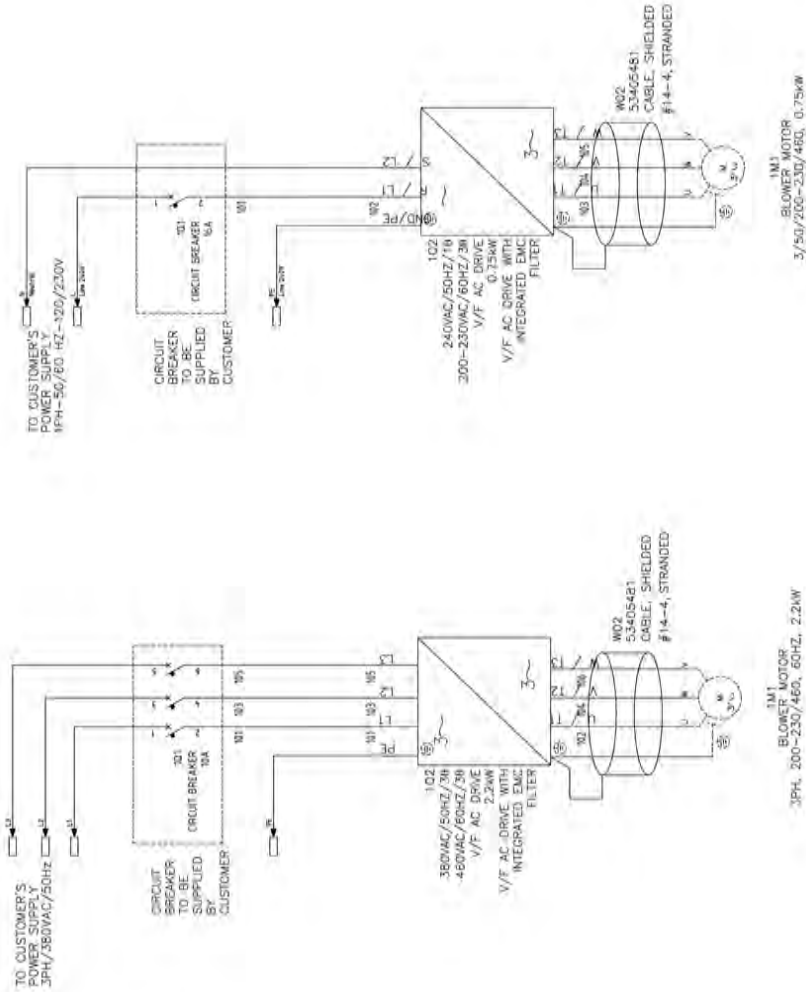
C.R. Laurence Glass Machinery Division • (866) 583-1377 • Fax (866) 584-9722

CALL TOLL FREE ANYWHERE IN THE U.S. OR CANADA

CRL/SOMACA CUTTING TABLES

6' x 8', 8' x 10', 8' x 12' and 9' x 12' MODELS

SECTION 7 Electrical Schematics for EU Series Air Flotation Tables



European Union Electrical Schematics CE Certified

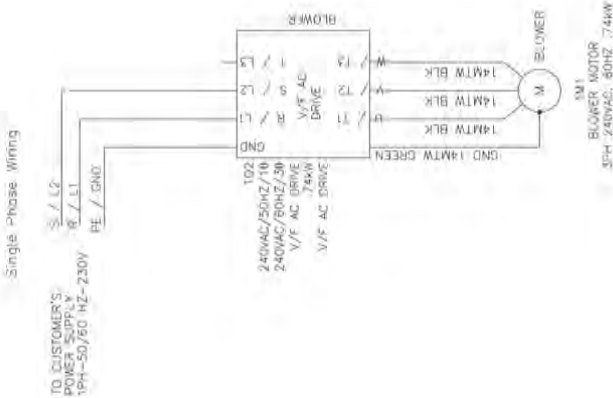
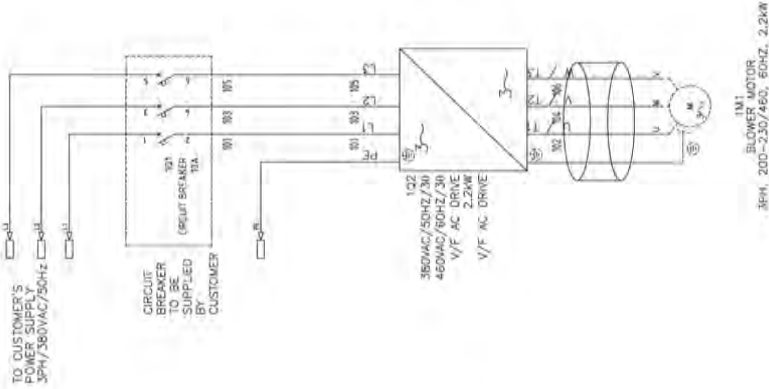
3 Phase
200-230/460V AC - 50HZ

Single Phase
200-230/460V AC - 50/60HZ

CRL/SOMACA CUTTING TABLES

6' x 8', 8' x 10', 8' x 12' and 9' x 12' MODELS

SECTION 7 Electrical Schematics for AU Series Air Flotation Tables



Australian Electrical Schematics

Three Phase
380V AC - 50Hz

Single Phase
230V AC - 50/60Hz

CRL/SOMACA CUTTING TABLES

6' x 8', 8' x 10', 8' x 12' and 9' x 12' MODELS

SECTION 8 EC Declaration of Conformity

EC Declaration of Conformity

In accordance with EN ISO 17050□1:2004

We Sommer and Maca Inc.
Of 5501 West Ogden Ave, Cicero, IL, 60804-3057, USA,

in accordance with the following Directive(s):

2004/108/EC The Electromagnetic Compatibility Directive
2006/95/EC The Low Voltage directive
98/37/EC -2006/42/EC The Machinery Directive

hereby declare that:

Equipment Glass Cutting Tables, Hydraulic "Easy-Tilt" Cutting Table, Glass Cutting Table with Air Flotation
Model EU2402512, EU2402513, EU2402550, EU2402503, EU2402525, EU2402543, EU2402522
Serial Number < >

is in conformity with the applicable requirements of the following documents

Ref. No.	Title	Edition/date
BS EN 13035-4	Machines and parts for the manufacture, treatment and processing of Glass – Safety requirements – Part 4: Tilting tables	2003+A1:2009

I hereby declare that the equipment named above has been designed to comply with the relevant sections of the above referenced specifications. The unit complies with all applicable Essential Requirements of the Directives.

Signed by:

.....
Name:

Position:

Done at Oldham

On (date)



Document ref. No.

The manufacturer's representative, authorized to supply the technical file is:

C R Laurence of Europe Ltd, Gorrels Way, Trans-Pennine Trading Estate, Oldham, OL11 2PX, UK

CRL/SOMACA CUTTING TABLES

6' x 8', 8' x 10', 8' x 12' and 9' x 12' MODELS



crlaurence.com, crlaurence.co.uk, crlaurence.de

Methods of Ordering

Online at crlaurence.com, crlaurence.co.uk or crlaurence.de

Many of our customers have found the most convenient method of ordering from CRL is through our full service web site. U.S. and Canada use crlaurence.com. Europe use crlaurence.co.uk or crlaurence.de to place your orders. You will have so many options that other methods don't provide. You set the schedule and the pace because you can log on 24 hours a day, seven days a week. You can build a personal catalog; even make changes or additions to your orders online. There's no easier way!

Toll Free Fax Service

When we introduced toll free fax service in the '80's we had no idea how popular it would become, but now our customers send us up to 1,000 orders or quote requests every business day! Fax ordering is very convenient because you can fill out your own purchase orders and then just fax them to us. You can be specific about shipping instructions or other details that will help us serve you. To send your orders or quote requests by toll free fax from anywhere in the U.S. or Canada, just dial **(800) 262-3299**. **To send your orders or quote requests by Freefax from anywhere in EUROPE: 00 800 0262 3299**

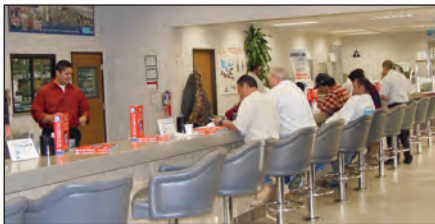
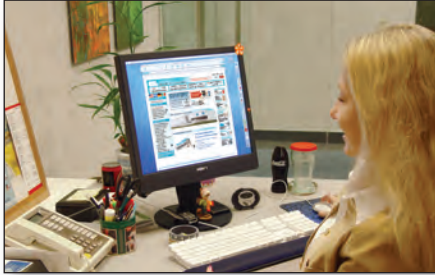
Toll Free Customer Service Order Desks: U.S., Canada and Europe

For over 30 years CRL has provided toll free ordering for the U.S. and Canada at **(800) 421-6144**. You can also call **C.R. Laurence Europe UK / DE Freephone: 00 800 0421 6144** from Europe. When you call our Customer Service Order Desk you'll find CRL people who are trained to provide assistance with CRL products and services. They have instant access to pricing, stock availability, and the status of your account, plus they can connect you to CRL Technical Sales personnel if you need specialized product assistance.

Will Call/Trade Counter

Every CRL world-wide warehouse has a Will Call/Trade Counter where you can place and pick up your orders in person. And when you place your order in advance by phone, fax, or over the Internet we can have it ready and waiting for you, which can save you a lot of time. Will Call/Trade Counter hours are 8 am to 5 pm Monday through Friday. Saturday Hours in the U.S. and Canada are 8am to 12pm. Some of our most experienced people staff our Will Call/Trade Counters, and they are always happy to see you. Remember, to save time place your order in advance.

page 27



crlaurence.com • Toll Free (800) 421-6144 • Fax (800) 262-3299

C.R. Laurence Glass Machinery Division • (866) 583-1377 • Fax (866) 584-9722

CALL TOLL FREE ANYWHERE IN THE U.S. OR CANADA

CRL/SOMACA CUTTING TABLES

6' x 8', 8' x 10', 8' x 12' and 9' x 12' MODELS

TERMS AND CONDITIONS MACHINERY WARRANTY STATEMENT

C.R. LAURENCE CO., INC. ("SELLER") WARRANTS PRODUCTS OF ITS MANUFACTURE TO BE FREE FROM DEFECTS IN MATERIALS OR WORKMANSHIP IN NORMAL USE FOR (12) MONTHS FROM THE DATE OF SHIPMENT (UNLESS A SHORTER PERIOD IS PROVIDED ELSEWHERE IN THIS DOCUMENT). SELLER'S OBLIGATION AND BUYER'S EXCLUSIVE REMEDY SHALL BE LIMITED TO REPAIR OR REPLACEMENT, AT SELLER'S SOLE OPTION, OF DEFECTIVE PARTS WITHIN THE WARRANTY PERIOD, PROVIDED BUYER GIVES SELLER IMMEDIATE WRITTEN NOTICE OF SUCH ALLEGED DEFECTS, AND, IF REQUESTED BY SELLER, RETURNS THE DEFECTIVE PARTS TO SELLER'S FACTORY PREPARED BY BUYER FOR SELLER'S INSPECTION. THE WARRANTIES CONTAINED HEREIN ARE IN LIEU OF ANY OTHER WARRANTY, EXPRESSED OR IMPLIED, INCLUDING ANY WARRANTY OF MERCHANTABILITY OR FITNESS FOR PURPOSE. SELLER SHALL IN NO EVENT BE LIABLE FOR CONSEQUENTIAL DAMAGES.

WARRANTIES HEREUNDER SHALL NOT APPLY TO ANY EQUIPMENT THAT HAS BEEN DAMAGED BY MISUSE, NEGLIGENCE, ACCIDENT, OR FAILURE TO PERFORM MAINTENANCE.

THIS WARRANTY SHALL BE NULL AND VOID (1) IF THE MACHINE IS USED IN A MANNER CONTRARY TO INSTRUCTIONS OR AFTER MALFUNCTION IS NOTICED; (2) IF THE BUYER DOES NOT HONOR TERMS OF PAYMENT; (3) IF THE MACHINE IS MODIFIED OR ALTERED.

EQUIPMENT RESOLD BY SELLER

IN THE CASE OF EQUIPMENT FURNISHED BY SELLER BUT NOT OF SELLER'S MANUFACTURE, SELLER'S LIABILITY TO BUYER HEREUNDER IS LIMITED TO SUCH WARRANTY AS THE MANUFACTURER MAKES TO SELLER, BUT IN NO CASE GREATER THAN (12) MONTHS FROM DATE OF SHIPMENT BY SELLER.

LIMITATION OF LIABILITY

SELLER'S SOLE REMEDY SHALL BE REPAIR OR REPLACEMENT OF DEFECTIVE PRODUCT. IN NO EVENT SHALL SELLER BE LIABLE FOR ANY OTHER REMEDY (INCLUDING, BUT NOT LIMITED TO, INCIDENTAL OR CONSEQUENTIAL DAMAGES FOR LOST PROFITS, LOST SALES, INJURY TO PERSONS OR PROPERTY OR ANY OTHER INCIDENTAL OR CONSEQUENTIAL LOSS) OR PUNITIVE DAMAGES.

DISPUTE RESOLUTION

ANY DISPUTE BETWEEN THE CUSTOMER AND SELLER SHALL BE SETTLED BY ARBITRATION BETWEEN THE PARTIES, UNDER THE RULES OF THE AMERICAN ARBITRATION ASSOCIATION, CHICAGO, IL. SUCH ARBITRATION SHALL TAKE PLACE IN CHICAGO, IL, USA WITHIN 90 DAYS AFTER A REQUEST FOR ARBITRATION HAS BEEN FILED BY ONE OF THE PARTIES. BOTH PARTIES IRREVOCABLY CONSENT TO JURISDICTION IN COOK COUNTY, ILLINOIS.

LAW

ALL CONTRACT AND OTHER CLAIMS (WHETHER BASED ON CONTRACT, TORT, EQUITY, TREATY, OR CODE) WITH RESPECT TO THE PRODUCTS SOLD AND ALL CLAIMS WITH RESPECT TO THE OPERATION AND USE OF THE PRODUCTS SHALL BE GOVERNED BY, AND CONSTRUED IN ACCORDANCE WITH THE LAWS OF THE STATE OF ILLINOIS, USA. THE SALES CONTRACT SHALL NOT BE GOVERNED BY THE UNITED NATIONS CONVENTION ON CONTRACTS FOR THE INTERNATIONAL SALES OF GOODS.

INVALIDITY OF PROVISIONS

IF ANY PROVISIONS OF THESE TERMS AND CONDITIONS ARE HELD TO BE INVALID, ILLEGAL OR UNENFORCEABLE, THE REMAINING PROVISIONS OF THESE TERMS AND CONDITIONS SHALL NOT IN ANY WAY BE AFFECTED OR IMPAIRED THEREBY.

C.R. Laurence Co., Inc.

Glass Machinery Division
5501 West Ogden Avenue, Cicero, IL 60804, U.S.A.

Important Information

Date of Delivery _____

Date of Manufacture _____

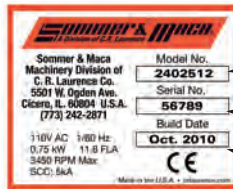
Serial Number _____

Model Number _____



Model Number

Serial Number



-or-

Model Number

Serial Number

Build Date

It is important to have all of the information from the Machine Identification Plate if you need to email or call for parts or service advice. Record the numbers from your machine in the space above.

page 28

Visit us at crlaurence.com for international toll free information